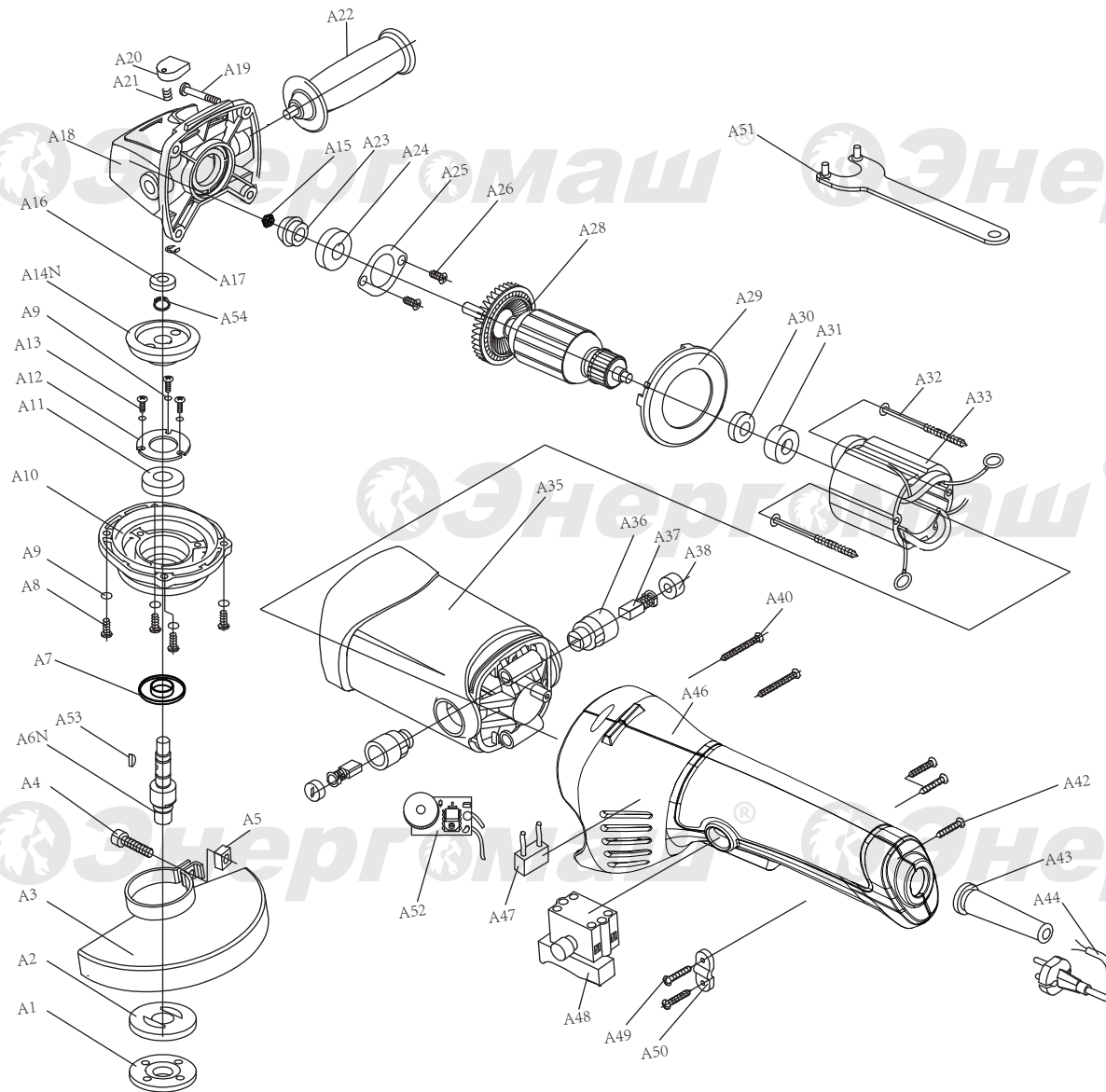


## УШМ-9512В



NO.	DESCRIPTION	NO.	DESCRIPTION
A1	OUTER FLANGE	A26	SCREW M4X10
A2	INNER FLANGE	A28	ROTOR
A3	WHEEL COVER	A29	WIND GUARD
A4	SCREW M8X20	A30	BEARING 607Z
A5	NUT M8	A31	BEARING COVER
A6N	SPINDLE	A32	SCREW ST4.2X65
A7	ANTI-DUST COVER	A33	STATOR
A8	SCREW M4X16	A35	HOUSING
A9	SPRING WASHER 4	A36	BRUSH HOLDER
A10	FORE COVER	A37	CARBON BRUSH
A11	BEARING 6201Z	A38	BRUSH CAP
A12	PRESSURED BOARD	A40	SCREW ST4.2X40
A13	SCREW M4X12	A42	SCREW ST4.2X18
A14N	BIG GEAR	A43	CORD SLEEVE
A15	NUT	A44	CORD & PLUG
A16	BEARING 688Z	A46	HANDLE ASSEMBLY
A17	"E" RING	A47	CAPACITOR
A18	GEAR BOX	A48	SWITCH
A19	SCREW ST4.2X22	A49	SCREW ST4.2X14
A20	LOCK PIN	A50	CORD CLAMP
A21	SPRING	A51	SPANNER
A22	SIDE HANDLE	A52	ADJUSTABLE SPEED SWITCH
A23	SMALL GEAR	A53	KEY
A24	BEARING 629Z	A54	CIRCLIP
A25	BEARING COVER		

RU-EN20181122  
VER:2.1